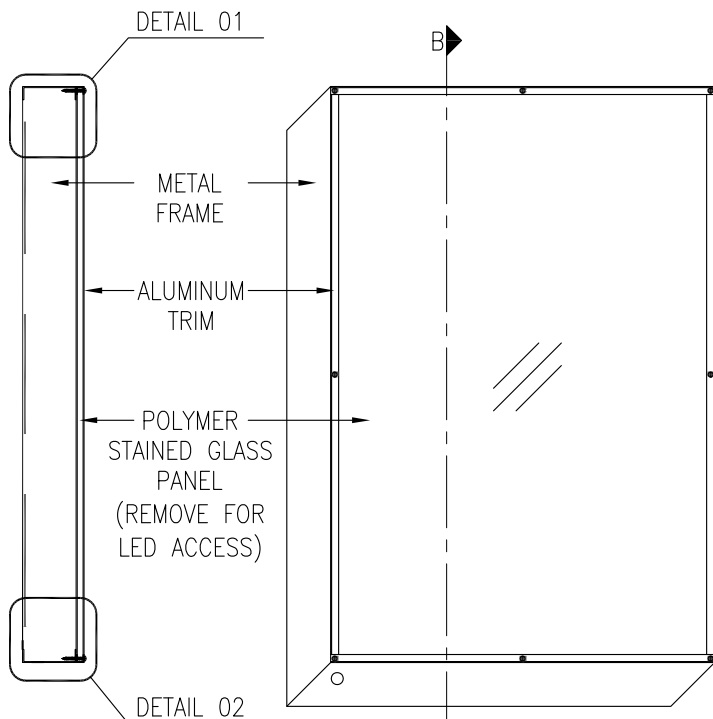
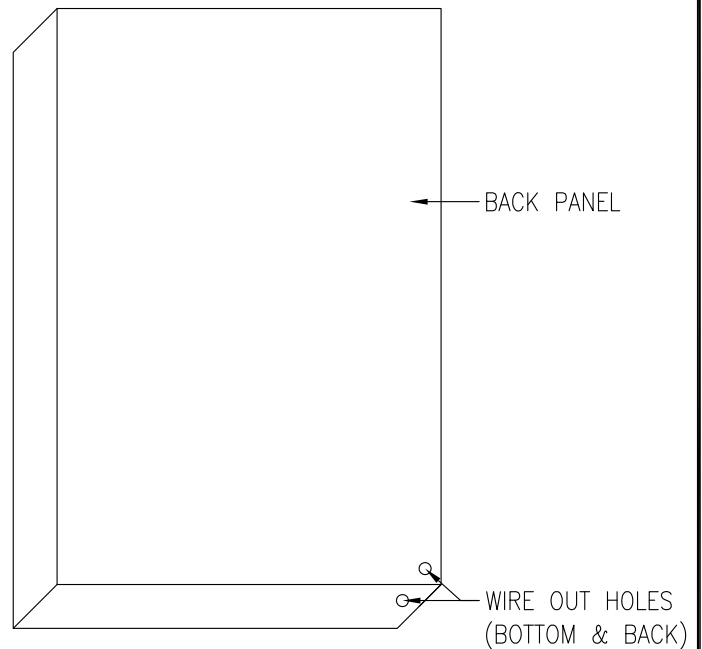


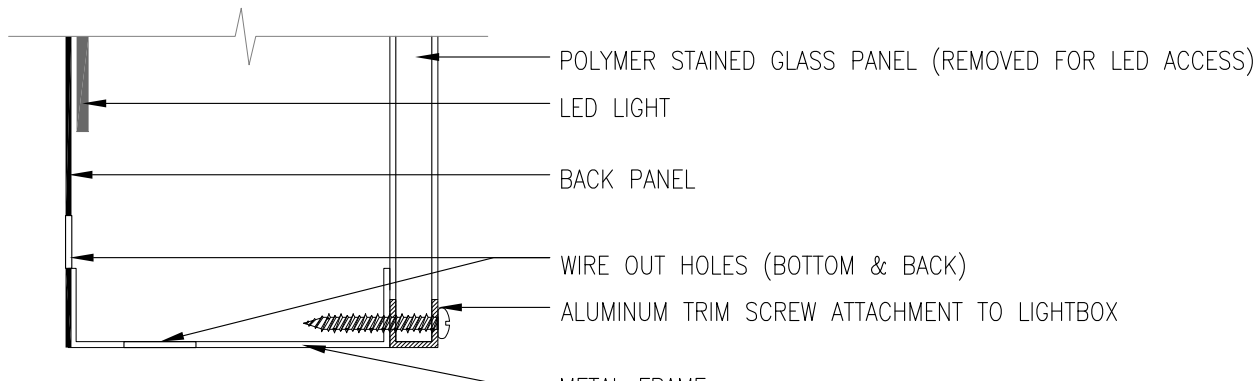
DETAIL 01
SCALE: 6"=1'-0"



FRONT VIEW
SCALE: 1"= 1'-0"



BACK VIEW
SCALE: 1"= 1'-0"



DETAIL 02
SCALE: 6"=1'-0"

DRAWING TITLE: LIGHTBOX

SCALE: AS NOTED

DRAWN BY: NGZ



STAINED GLASS INC.

4400 Oneal Street, Greenville, TX 75401 Phone 903.454.8376 Fax 903.454.3642

TYPE DWG: MOUNTING

DWG. SHEET: **SGI - 1003**